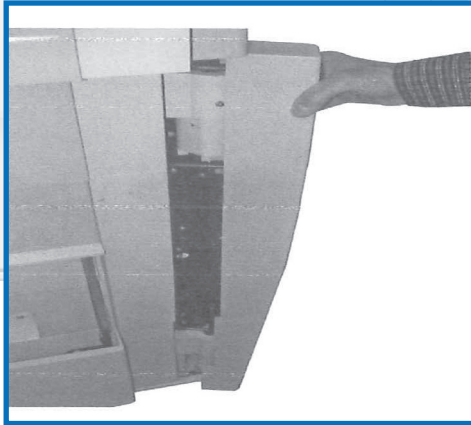


Opteva[®] 750 Trim Cap Upgrade

Provide extra protection to your ATM from vehicle bumpers and mirrors

- Spring loaded mechanisms return trim caps to normal position after a vehicle strike
- Optimizes the overall aesthetic of the ATM
- Improves your image and brand
- Protect your investment from the most common vehicle damage



PACKAGE

Description	Package Price	Promotional Price	Quantity	Extended Total
Opteva [®] 750 Trim Cap Upgrade	\$2,262.03			
All prices include labor Prices do not include any sales tax that may apply				

Your Total Investment \$.

Price does not include any sales tax that may apply.

Customer Name: _____	Site ID #: <input type="text" value=""/> <input type="text" value=""/> <input type="text" value=""/> <input type="text" value=""/> <input type="text" value=""/> <input type="text" value=""/> <input type="text" value=""/> <input type="text" value=""/> <input type="text" value=""/> <input type="text" value=""/>
Company Address: _____	City: _____
Contact Name: _____	State: <input type="text" value=""/> <input type="text" value=""/> Zip Code: <input type="text" value=""/> <input type="text" value=""/> <input type="text" value=""/> <input type="text" value=""/>
Contact Signature: _____	Contact Phone: <input type="text" value=""/> <input type="text" value=""/> <input type="text" value=""/> - <input type="text" value=""/> <input type="text" value=""/> <input type="text" value=""/> - <input type="text" value=""/> <input type="text" value=""/> <input type="text" value=""/>
Technician Name: _____	Oracle ID #: <input type="text" value=""/> <input type="text" value=""/> <input type="text" value=""/> <input type="text" value=""/> <input type="text" value=""/> <input type="text" value=""/>

DISCLAIMER

An \$11.00 Trip and Supply Adjustment will be added to invoice. Lead-time on parts and service is approx. 30 to 60 days. Price does not include any sales tax that may apply. All work to be done during regular business hours; which is Monday through Friday, 8:00am to 5:00pm and excludes Diebold recognized holidays. Prices are good for 90 days only and may require re-pricing after time expires. Upon acceptance, please sign and return via email at supplies@diebold.com or fax to 330-899-5600.

Contact us at supplies@diebold.com or 1.800.222.6900